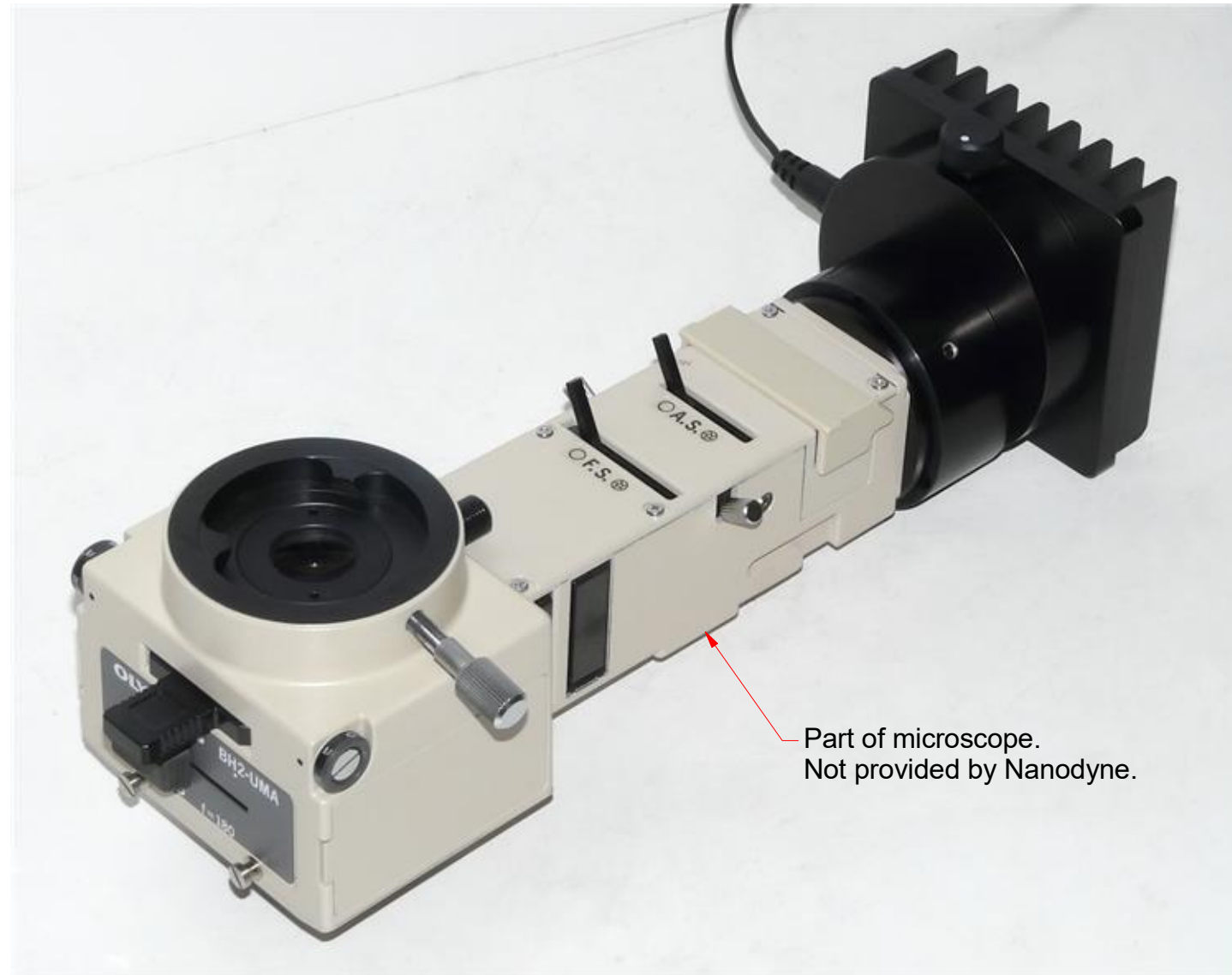
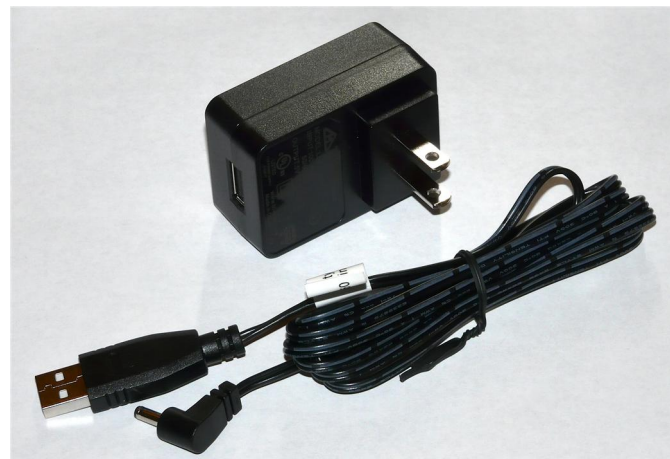


Nanodyne Replacement Illuminator for Olympus BH2-UMA: Included Items



The above photo shows an older model illuminator. The current model is shown in the drawing at right.



PN 11163 Power Supply 5V 2.1A and PN 10734 Power Cable 1.35mm ID/3.5mm OD x USB A 6 ft.

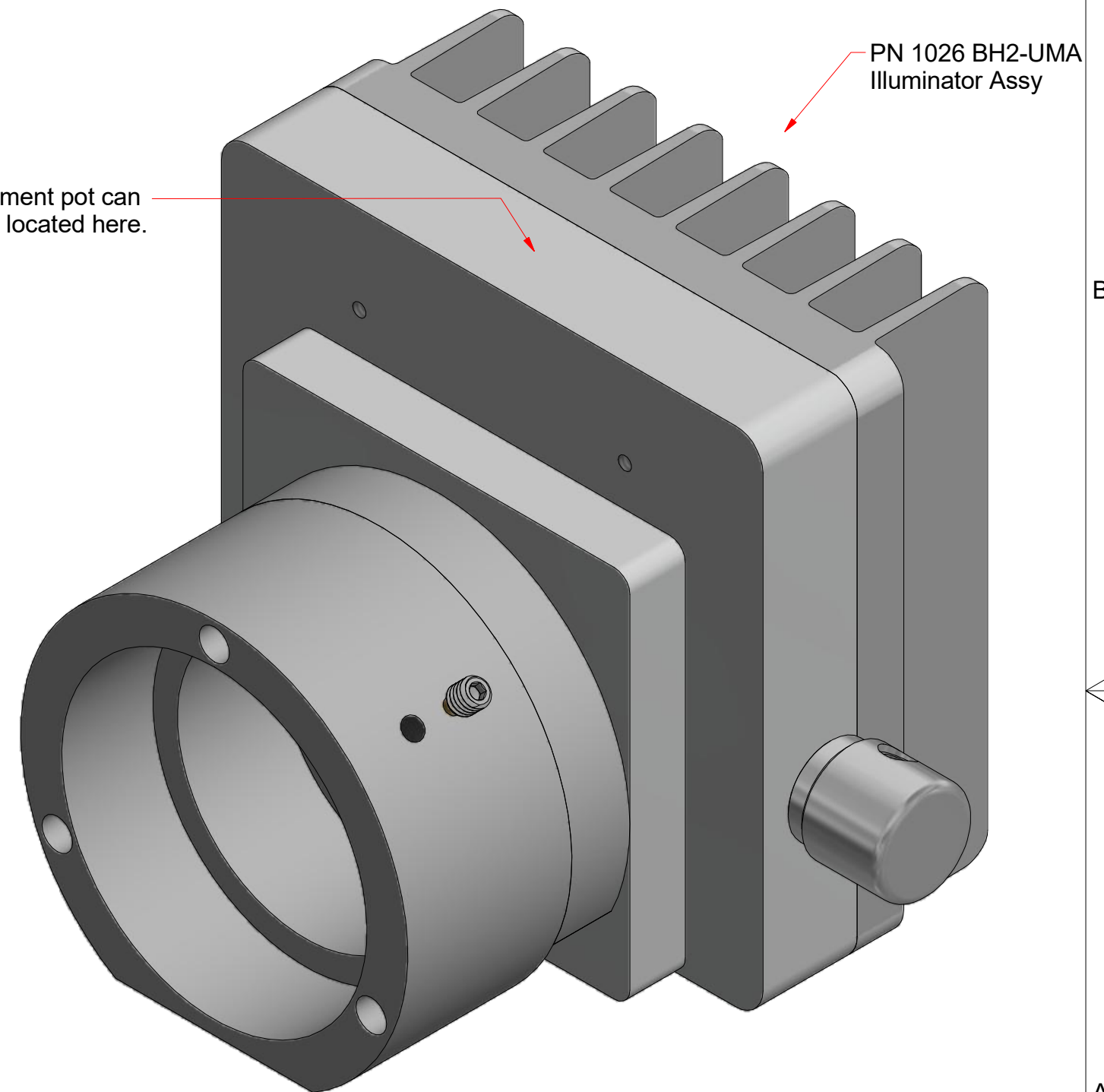
Additional Items Included But Not Shown:

PN 10490 Hex Key 5/64 (for 8-32 set screw)

Note that the illuminator mounted adjustment potentiometer is standard on this unit. Ask about a remote adjustment pot if desired.

The adjustment may also be located on the top. Specify on the order if a top mounted adjustment is wanted.

Adjustment pot can also be located here.



Power supplies subject to change due to availability and regulations.

Wayne Bonin	3/5/2019
PN 11027 BH2-UMA Illuminator System Installation	REV 1
SHEET 1 OF 2	

Nanodyne Replacement Illuminator for Olympus BH2-UMA: Installation



Step 1. Remove original illuminator from the microscope. Also remove the screw in lens from the microscope. It is not used with the Nanodyne Illuminator.



Step 2. Slip the Nanodyne illuminator over the black round portion of the BH2-UMA port, and secure by tightening the set screw with the 5/64 hex key provided.

Connect to the power supply and operate using the intensity adjustment pot on the top or side of the illuminator.

The unit is off when the adjustment is turned CCW. There may or may not be a small click in the off position. Do not force it.

Wayne Bonin	3/5/2019
PN 11027 BH2-UMA Illuminator System Installation	REV 1
SHEET 2 OF 2	